

ICOM

INSTRUCTIONS

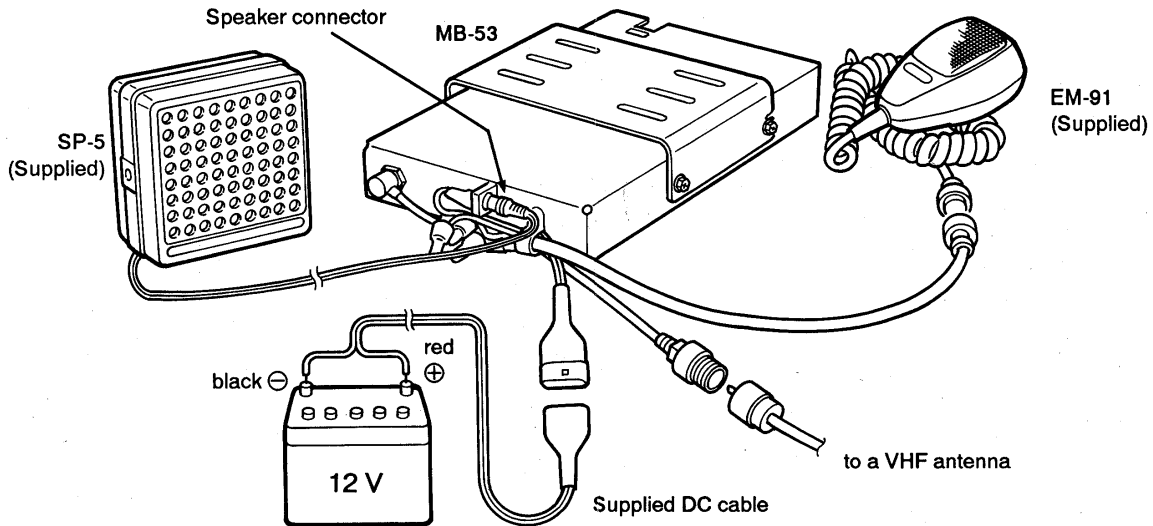
MOBILE MOUNTING BRACKET

MB-53

Thank you for purchasing the **MB-53** MOBILE MOUNTING BRACKET. The MB-53 is designed for mounting the IC-A200 VHF AIR BAND TRANSCEIVER in a vehicle. A speaker, microphone and DC cable are supplied with the MB-53.

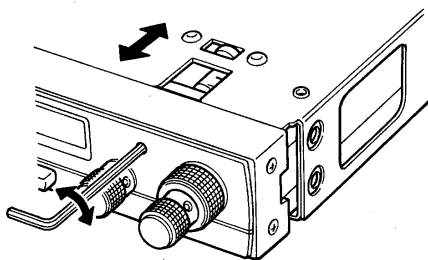
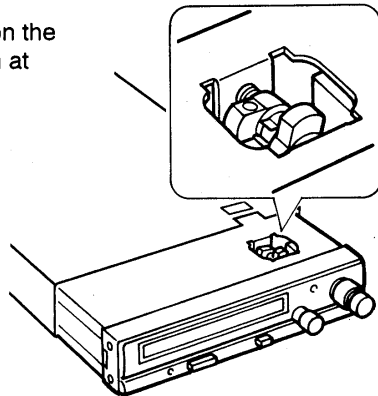
Please read these instructions thoroughly for the best results.

CONNECTIONS



INSTALLATION

- ① Set the metal catch on the transceiver as shown at right, then install the transceiver into the mounting rack.

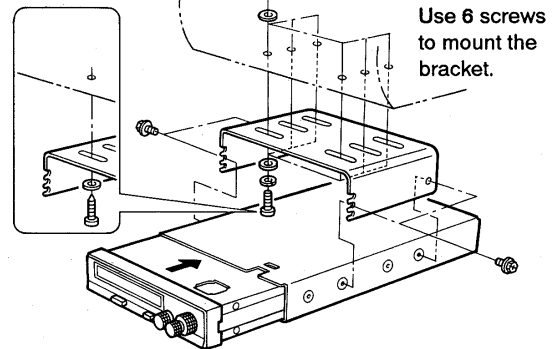


- ② Use a 3/32 inch wrench to attach the transceiver to the MB-53.
 - Clockwise rotation installs the transceiver into the bracket.
 - DO NOT overtighten the metal catch.

MOUNTING

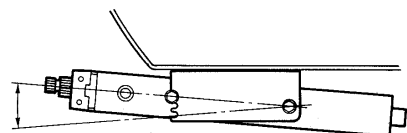
When using tapping screws

When using nuts



- ① Mount the MB-53 to a convenient location in a vehicle where it:

- can support the weight of the transceiver.
- does not interfere with the operation of the vehicle.
- does not interfere with air bags.



- ② Adjust the angle for good readability of the display.

Icom Inc.

6-9-16, Kamihigashi, Hirano-ku, Osaka 547, Japan

Count on us!

A-8177S-1EX Printed in Japan
Copyright © 1993 by Icom Inc.